



FRONT MOUNT CYLINDERS

HIGH PRESSURE
250 bar

APPF | PINS TO EYE

APPFC | WITH OUTER COVER



hspenta.it



FRONT MOUNT CYLINDERS

HIGH PRESSURE 250 bar



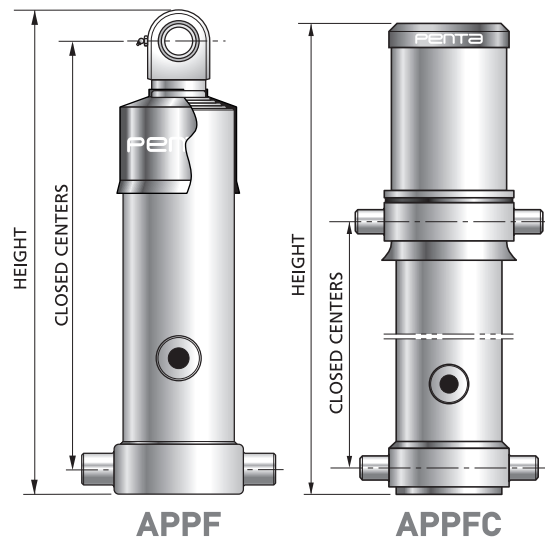
Penta front-end cylinders hi-pressure range (250 bar) includes Front-End Cylinders with Outer Cover (APPFC) and Pins to Eye (APPF).

MAIN DATA SHEET

MODEL - STROKE DIA - STAGES No.	PART NUMBER	HEIGHT [mm]	CLOSED CENTERS [mm]	WEIGHT [kg]	TIPPING WEIGHT [ton]
APPF 5445 174 5	5112661745001	1541	1395	246	42-99
APPF 5883 174 5	5115001745001	1712	1611	285	42-99
APPFC 5445 174 5	5212661745001	1463	1050	304	42-99
APPFC 5756 174 5	5213851745001	1574	343	353	42-99
APPFC 5756 174 5	5213851745002	1574	1039	332	42-99
APPFC 5034 154 4	5215001544001	1631	331	285	37-95
APPFC 6276 174 5	5215001745001	1641	344	366	42-99
APPFC 6726 174 5	5215901745001	1738	343	390	42-99
APPFC 6726 174 5	5215901745002	1738	1054	370	42-99
APPFC 7191 174 5	5216831745001	1826	337	410	42-99
APPFC 7191 174 5	5216831745002	1826	343	410	42-99
APPFC 7830 174 5	5218701745001	2011	1032	420	42-99

► Please refer to HS PENTA for other different model or design you may require.

MAIN DIMENSIONS



- Weight saving seamless solid tubing design.
- High performance sealing system for years of trouble free operation.
- Improved profitability through reduced product downtime.
- Chromed Piston Rod as a standard, fully chromed version on request.
- Low maintenance requirements from installation.

► For Accessories, Brackets, Devices & Hydraulic Package, please refer to relevant Technical Datasheet or contact us.



H.S. Penta spa
 via Proventa, 31
 48018 Faenza RA - Italy
 T +39 0546 689000
 hspenta@hspenta.it
 hspenta.it

