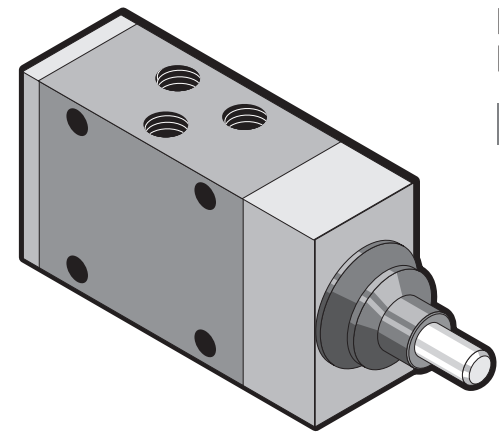


# UNDER BODY COMPACT CYLINDERS HIGH PRESSURE

Penta Under Body Compact Cylinders includes Reversible Series (APSK), Classic Series (APS) and Trailer Series (AP).

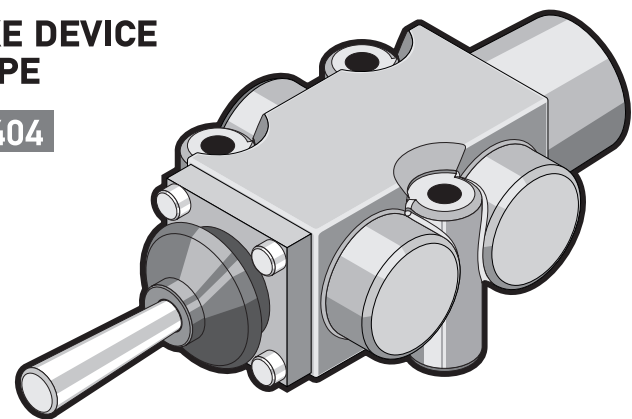


**END OF STROKE DEVICE  
PNEUMATIC TYPE**

Ref. JD0001

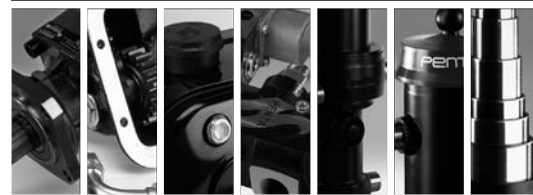
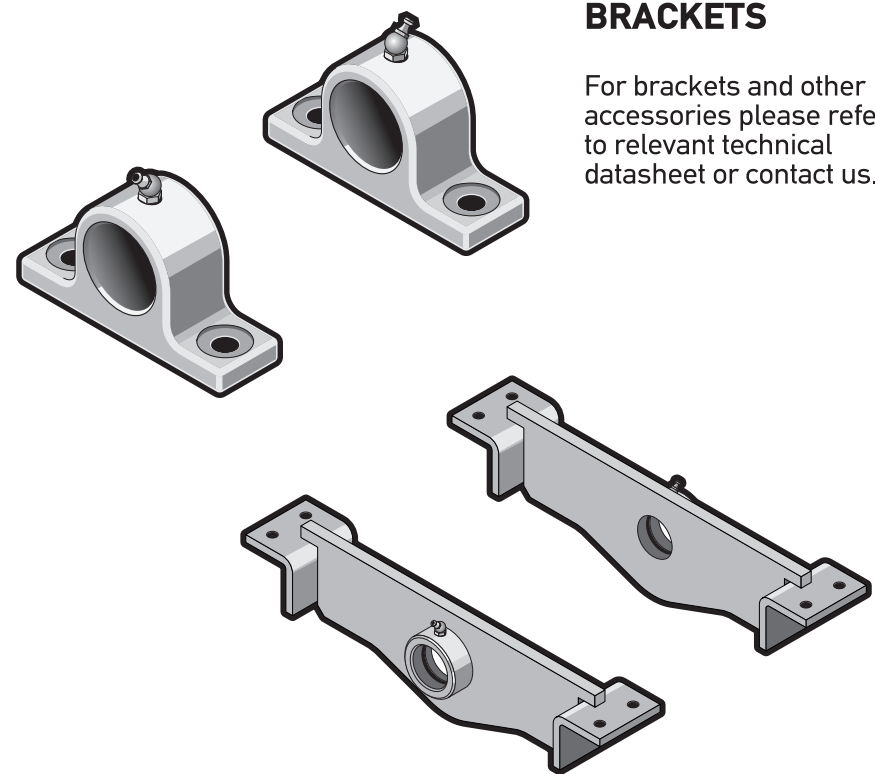
**END OF STROKE DEVICE  
HYDRAULIC TYPE**

Ref. D804G03404



## BRACKETS

For brackets and other accessories please refer to relevant technical datasheet or contact us.



# UNDER BODY COMPACT CYLINDERS HIGH PRESSURE

A member of



**INTERPUMP  
GROUP**

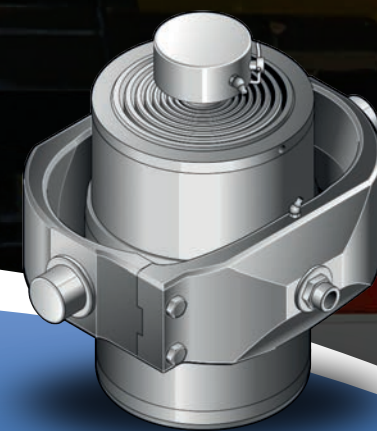


Interpump Hydraulics SpA  
Via A. Mingozzi, 6  
40012 Calderara di Reno BO - Italy  
T +39 051 6460511  
F +39 051 6460560  
info@iph.it  
Interpumphydraulics.com



# UNDER BODY COMPACT CYLINDERS HIGH PRESSURE >UP TO 300 BAR<

APSK | REVERSIBLE  
APS | CLASSIC  
AP | TRAILER





Penta Compact High Pressure Reversible Series includes underbody cylinder working up to 300 bar for heavy duty rigid truck application with very limited mounting space available.

# REVERSIBLE

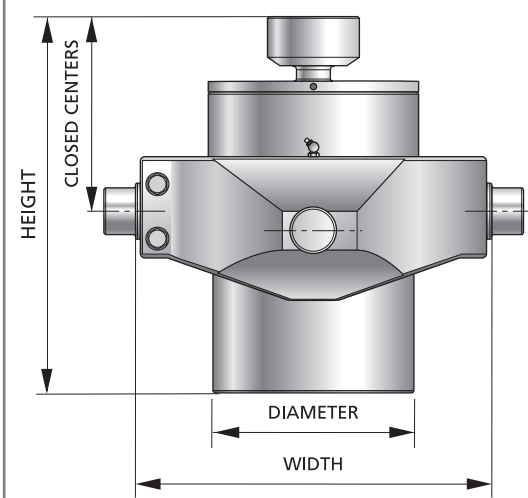
COMPACT HIGH PRESSURE

## MAIN DATA SHEET

MODEL - STROKE DIA - STAGES No.	PART NUMBER	HEIGHT [mm]	CLOSED CENTERS [mm]	DIAMETER [mm]	WIDTH [mm]	WEIGHT [kg]	TIPPING WEIGHT [ton]
APSC 1226 135 6 K CRN	22000C1356003	421	200	162	345	90	14-30
APSC 1449 154 7 K CRN	22000C1547004	426	200	184	345	92	16-34
APSC 1488 174 7 K CRN	22000C1747005	426	200	206	420	102	19-36
APSC 1677 174 8 K CRN	22000C1748003	426	200	206	420	103	19-36
APSC 1716 196 8 K CRN	22000C1968004	431	200	229	420	124	21-41
APSC 1905 196 9 K CRN	22000C1969004	431	200	229	420	128	21-41
APSC 1944 221 9 K CRN	22000C2219003	431	200	258	455	156	24-47
APSC 2133 221 10 K CRN	22000C2210004	431	200	258	455	156	24-47
APSBC 1327 120 5 K CRN	2200BC1205001	473	250	145	345	72	13-25
APSBC 1591 135 6 K CRN	2200BC1356001	473	250	162	345	80	14-30
APSBC 1612 154 6 K CRN	2200BC1546001	478	250	184	345	95	16-34
APSBC 1864 154 7 K CRN	2200BC1547001	478	250	184	345	97	16-34
APSBC 1890 174 7 K CRN	2200BC1747001	478	250	206	420	108	19-36
APSBC 2142 174 8 K CRN	2200BC1748002	478	250	206	420	109	19-36
APSBC 1909 196 7 K CRN	2200BC1967001	483	250	229	420	130	21-41
APSBC 2168 196 8 K CRN	2200BC1968002	483	250	229	420	132	21-41
APSBC 2420 196 9 K CRN	2200BC1969002	483	250	229	420	136	21-41
APSBC 2177 221 8 K CRN	2200BC2218001	483	250	258	455	159	24-47
APSBC 2436 221 9 K CRN	2200BC2219001	483	250	258	455	161	24-47
APSBC 2688 221 10 K CRN	2200BC2210002	483	250	258	455	166	24-47
APSH 2439 174 8 K CRN	22000H1748003	536	300	206	420	138	19-36
APSH 2479 196 8 K CRN	22000H1968005	541	300	229	420	168	21-41
APSH 2187 196 7 K CRN	22000H1967005	541	300	229	420	169	21-41
APSH 2511 221 8 K CRN	22000H2218006	541	300	258	455	207	24-47
APSH 2803 221 9 K CRN	22000H2219002	541	300	258	455	210	24-47
APSH 3087 221 10 K CRN	22000H2210005	541	300	258	455	215	24-47

► Please refer to HS PENTA for other different model or design you may require.

## MAIN DIMENSIONS



APSK

- Solid Tubing Machining for no weakness points.
- Minimized overall dimensions to suit industry new chassis requirements.
- 2 in 1 models! Thanks to the reversible cradle, 2 mounting dimension to suit different size subframe.
- High tipping capacity in a new lightweight design.
- Faster tipping time.
- 300 bar continuous working pressure (\*).
- Hard Chromed stages as a standard.
- Stages top edge design against contamination.
- Designed for extreme weather conditions.
- Minimum service time required.

(\* ) unless differently specified



Penta Compact High Pressure Classic Series includes underbody cylinder kits working up to 300 bar for extra performance, weight and time saving application on rigid trucks and trailers.

# CLASSIC

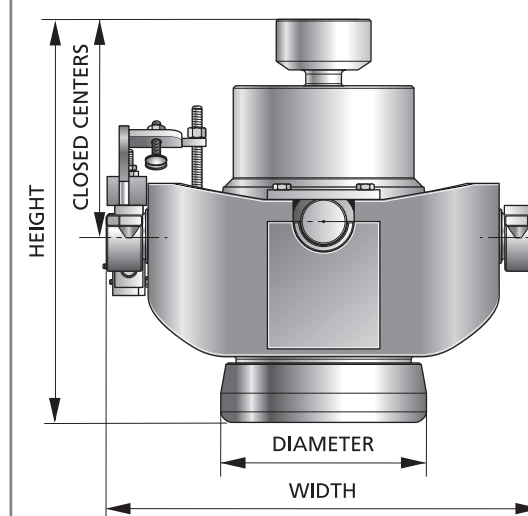
COMPACT HIGH PRESSURE

## MAIN DATA SHEET

MODEL - STROKE DIA - STAGES No.	PART NUMBER	HEIGHT [mm]	CLOSED CENTERS [mm]	DIAMETER [mm]	WIDTH [mm]	WEIGHT [kg]	TIPPING WEIGHT [ton]
APSC 1488 174 7 CRN	22000C1747002	423	239	230	538	110	22-46
APSC 1677 174 8 CRN	22000C1748002	414	230	230	538	112	18-37
APSC 1861 174 9 CRN	22000C1749002	414	230	230	538	114	15-32
APSC 1716 196 8 CRN	22000C1968002	430	239	256	538	130	25-48
APSC 1905 196 9 CRN	22000C1969002	430	239	256	538	135	21-41
APSC 2090 196 10 CRN	22000C1960002	421	230	256	538	137	18-34
APSC 1944 221 9 CRN	22000C2219002	436	239	290	592	172	28-55
APSC 2133 221 10 CRN	22000C2210002	436	239	290	592	177	24-47
APSB/A 1365 174 5 CRN	2200BA1745002	493	239	230	538	116	29-62
APSB/A 1623 174 6 CRN	2200BA1746002	493	239	230	538	119	26-54
APSB/A 1875 174 7 CRN	2200BA1747002	493	239	230	538	122	22-46
APSB/A 2119 174 8 CRN	2200BA1748002	484	230	230	538	125	18-37
APSB/A 2357 174 9 CRN	2200BA1749002	484	230	230	538	127	15-32
APSB/A 1907 196 7 CRN	2200BA1967002	500	250	256	538	144	29-56
APSB/A 2159 196 8 CRN	2200BA1968002	500	250	256	538	146	25-48
APSB/A 2403 196 9 CRN	2200BA1969002	500	250	256	538	152	21-41
APSB/A 2641 196 10 CRN	2200BA1960002	491	241	256	538	154	18-34
APSB/A 2191 221 8 CRN	2200BA2218002	506	254	290	592	190	33-63
APSB/A 2442 221 9 CRN	2200BA2219002	506	254	290	592	192	28-55
APSB/A 2687 221 10 CRN	2200BA2210002	506	254	290	592	198	24-47
APSH 2479 196 8 CRN	22000H1968002	540	239	256	538	161	25-48
APSH 2763 196 9 CRN	22000H1969002	540	239	256	538	166	21-41
APSH 2511 221 8 CRN	22000H2218002	546	239	290	592	206	33-63
APSH 2802 221 9 CRN	22000H2219002	546	239	290	592	209	28-55
APSH 3087 221 10 CRN	22000H2210002	546	239	290	592	214	24-47

► Please refer to HS PENTA for other different model or design you may require.

## MAIN DIMENSIONS



APS

- Solid Tubing Machining for no weakness points.
- 300 bar continuous working pressure (\*).
- No special hydraulic required.
- Extra tipping capacity guaranteed by the 1 piece fabricated 3 ways kardan-ring.
- Hard Chromed stages on demand.
- Stages top edge design against contamination.
- Optimized size for performance and weight saving.
- Minimum service time required.

(\* ) unless differently specified



Penta Trailer High Pressure Series includes underbody cylinder kits working up to 300 bar for heavy duty, weight and time saving application.

# TRAILER

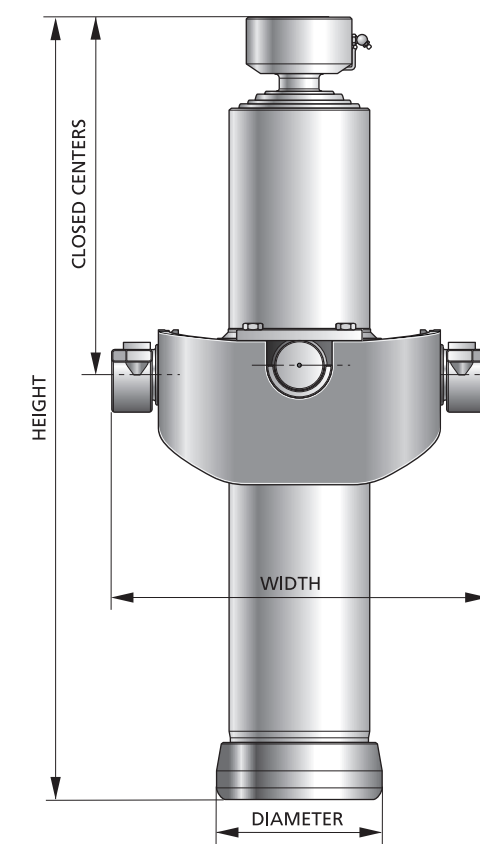
COMPACT HIGH PRESSURE

## MAIN DATA SHEET

MODEL - STROKE DIA - STAGES No.	PART NUMBER	HEIGHT [mm]	CLOSED CENTERS [mm]	DIAMETER [mm]	WIDTH [mm]	WEIGHT [kg]	TIPPING WEIGHT [ton]
AP5565 1860 135 4 CRN	2205651354002	688	218	185	416	89	20-42
AP5565 2778 174 6 CRN	2205651746002	702	230	230	538	147	26-54
AP5565 3235 196 7 CRN	2205651967002	709	235	256	538	182	29-56
AP5565 3703 196 8 CRN	2205651968002	716	242	256	538	185	25-48
AP5565 3687 221 8 CRN	2205652218002	715	240	290	592	238	33-63
AP670 2238 135 4 CRN	2106701354002	793	218	185	416	105	18-37
AP670 2796 174 5 CRN	2106701745002	800	241	230	538	162	28-59
AP670 2796 154 5 CRN	2106701545002	802	225	210	416	128	21-43
AP670 3360 196 6 CRN	2106701966002	807	241	256	538	202	32-62
AP670 3356 174 6 CRN	2106701746002	807	248	230	538	166	24-50
AP670 3918 221 7 CRN	2106702217002	813	241	290	592	278	36-70
AP670 3920 196 7 CRN	2106701967002	814	248	256	538	206	27-52
AP670 4478 221 8 CRN	2106702218002	820	248	290	592	279	31-60
AP670 5038 221 9 CRN	2106702219002	827	255	290	592	289	26-50
AP750 5118 221 8 CRN	2107502218002	900	248	290	592	299	31-60

► Please refer to HS PENTA for other different model or design you may require.

## MAIN DIMENSIONS



AP

- Reduced number of stages for improved capacity and weight saving.
- Solid Tubing Machining for no weakness points.
- 300 bar continuous working pressure (\*).
- No special hydraulic required.
- Extra tipping capacity guaranteed by the 1 piece fabricated 3 ways kardan-ring.
- Hard Chromed stages on demand.
- Stages top edge design against contamination.
- Minimum service time required.

(\* ) unless differently specified